

PARTS MANUAL

Model

EY28

ENGINE

PUB-EP5736A
Rev. 02/00

Robin America, Inc.

940 Lively Blvd. • Wood Dale, IL 60191 • Phone: 630-350-8200 • Fax: 630-350-8212
e-mail: sales@robinamerica.com • www.robinamerica.com

© Copyright 2000 Robin America, Inc.

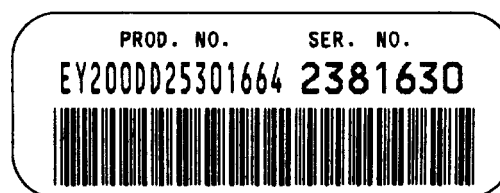
HOW TO USE THIS MANUAL

Robin engines are identified by MODEL, SPECIFICATION, and CODE NUMBER. For each model there may be many different versions called specifications. Each specification will be unique in some way. The difference may only be the paint color or it may have a different type of PTO or some other significant difference.

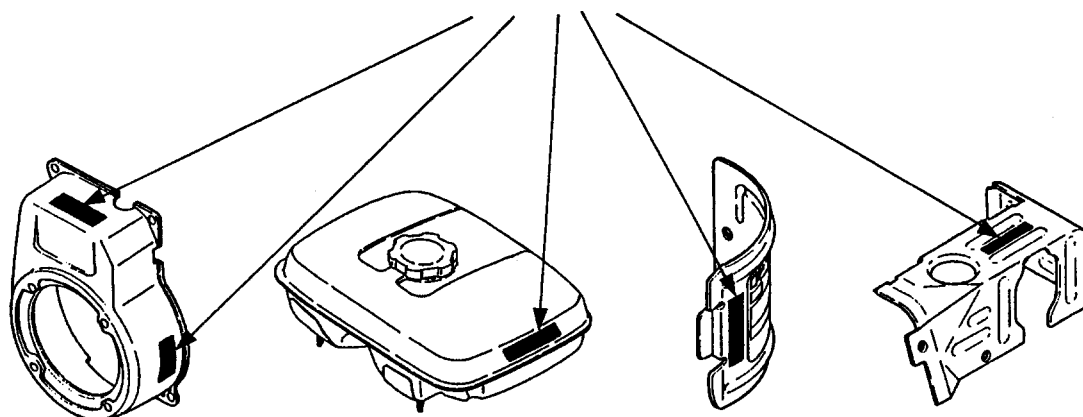
In order to identify the correct service part number, it is important to confirm the specification and code numbers for your engine. The specification and code number together are known as the PRODUCT NUMBER.

All Robin 4 cycle engines have a Product Number label similar to the label illustrated below.

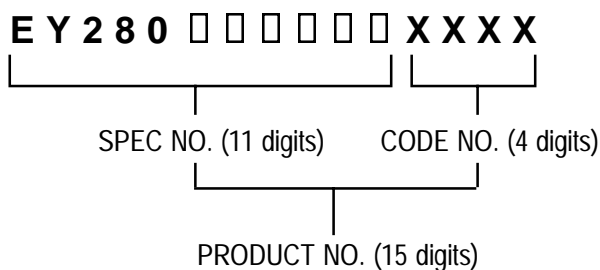
PRODUCT NUMBER LABEL



PRODUCT NUMBER LABEL LOCATIONS



The Product Number Label has a 15 digit alphanumeric string that consists of the SPECIFICATION (SPEC) number (11 digits) and the CODE number (4 digits). Please note the illustration below:



MANUAL LAYOUT

① SECTION 6 FUEL GROUP

② FIG. 600

DETAIL A

① SECTION 6 FUEL GROUP

REF.	PART NO.	DESCRIPTION	QTY.	REMARKS	FROM-TO	FIG.
10	267-60103-01	FUEL TANK CP	1	YD, YS TYPE, BLACK	2101 -	600
	267-60101-01	FUEL TANK CP	1	YELLOW	- 2100	600
27	073-20039-00	LABEL, WARNING	1	YD, YS TYPE		600
30	043-04300-15	FUEL TANK CAP CP	1			600
31	267-95201-03	LABEL, EMISSION	1	YD, YS TYPE		600
40	064-13600-10	FUEL FILTER	1			600
50	064-20021-01	FUEL STRAINER AY	1			600
-1	064-20002-20	FILTER	1			600
-2	064-20002-30	GASKET	1			600
-3	064-20019-10	CUP	1			600
-4	064-20003-20	NUT	1			600

1. SECTION NAME Parts are broadly classified according to their functions. Refer to the Group Index (table of contents) for respective section name.
2. FIG. No. The FIG. number indexes the reference and part numbers to the illustration. Figure numbers that vary only in the tens place (i.e.: 700 and 710) are in a group of the same section (i.e.: Electrical Device Group).
3. REF. No. The Reference number identifies the part illustration with the corresponding part number in the part list.
4. SUBASSEMBLY SUBASSEMBLY parts of part assembly are listed below the assembly part. The subassembly part reference number is indicated by the number led by "-" such as "-1", "-2".
5. PART NUMBER It is the number assigned for sales unit. Use the PART No. when making an order.
6. DESCRIPTION It is designation of the part.
7. QTY. Quantity of each part used for each product.
8. REMARKS This gives a distinctive feature and/or a supplementary comment for the type, the specification, and the part concerned. It also shows part number(s) interchangeable for the part.
9. FROM-TO This section shows the CODE No. to indicate the history of progress in which improved parts have been introduced in the product. The FROM-TO CODE No. helps to identify PART No. being employed in the product concerned. See the examples below:
 - The part is used in the product irrespective of CODE No.
 - 2101- The part is used in the products with CODE No. of 2101 and after this number.
 - 2100 The part is used in the products with CODE No. of 2100 and before this number.

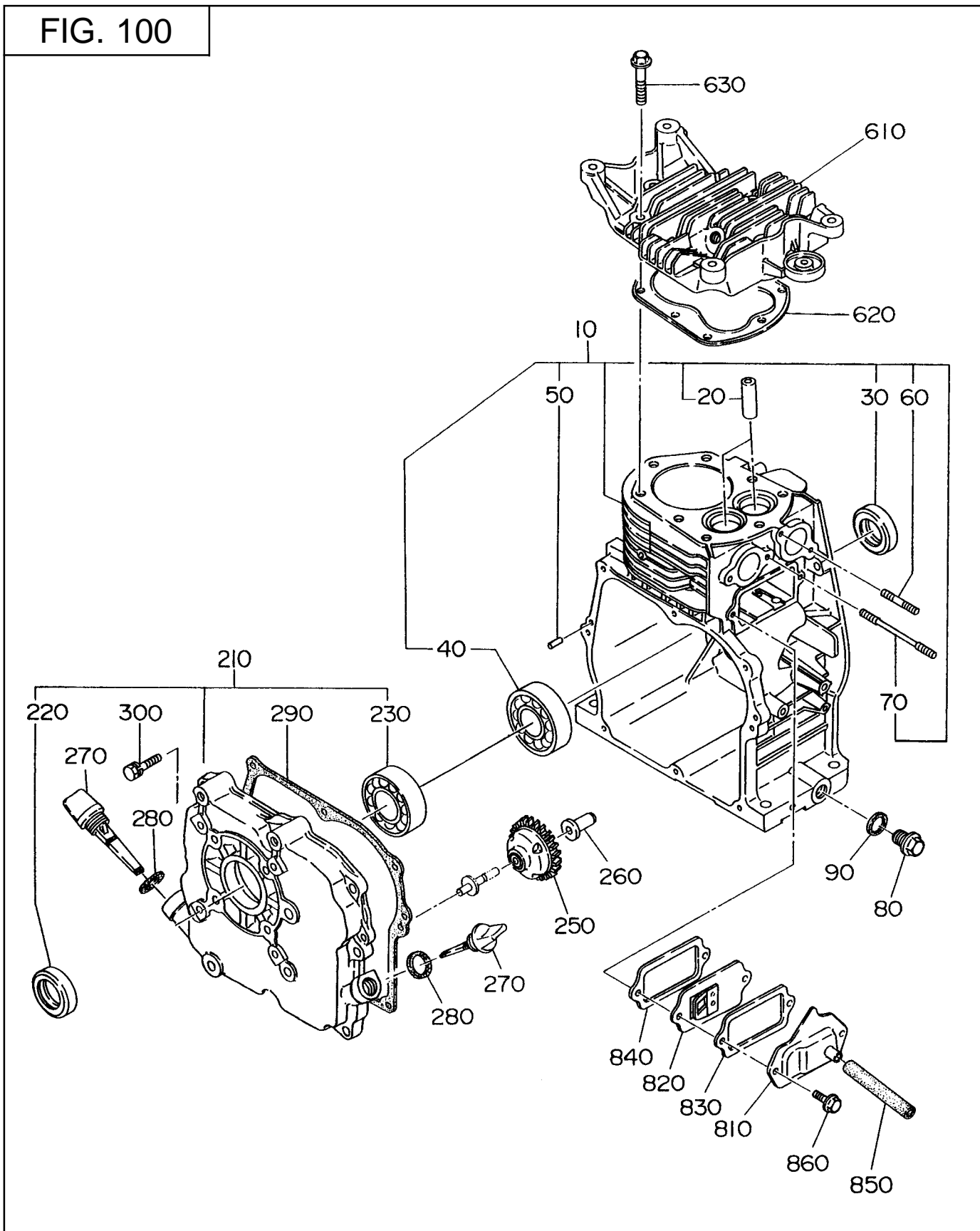
GROUP INDEX

Group Name	Page
CRANKCASE GROUP	6
CRANKSHAFT GROUP	8
INTAKE and EXHAUST GROUP	10
GOVERNOR GROUP	12
COOLING and STARTING GROUP	18
FUEL GROUP	24
FUEL GROUP - CARBURETOR	26
ELECTRIC DEVICE GROUP - RECOIL START	28
ELECTRIC DEVICE GROUP - ELECTRIC START	30
ELECTRIC DEVICE GROUP - STARTING MOTOR	32
ELECTRIC DEVICE GROUP - OIL SENSOR.....	34

INDEX OF DESCRIPTION SYMBOLS			
SYMBOL	DESCRIPTION	SYMBOL	DESCRIPTION
AY	ASSEMBLY	P=	PITCH (in mm)
CP	COMPLETE	P.T.O. (PTO)	POWER TAKE OFF
EX	EXPORT (from Japan)	REF.	REFERENCE
FIG.	FIGURE	R.H. (RH)	RIGHT HAND SIDE
FR.	FRONT	RR.	REAR
"	INCH	STD.	STANDARD
INCL.	INCLUDE	SW	SWITCH
~L	LITER	T=	THICKNESS (in mm)
L=	LENGTH (in. mm)	UN	UNIT
L.H. (LH)	LEFT-HAND SIDE	U.S.	UNDER SIZE
MECH	MECHANICAL	~V	VOLTAGE
NO (NON)	NONE	~W	WATT
OPT.	OPTIONAL	W/	WITH
O.S.	OVER SIZE	W/O	WITHOUT

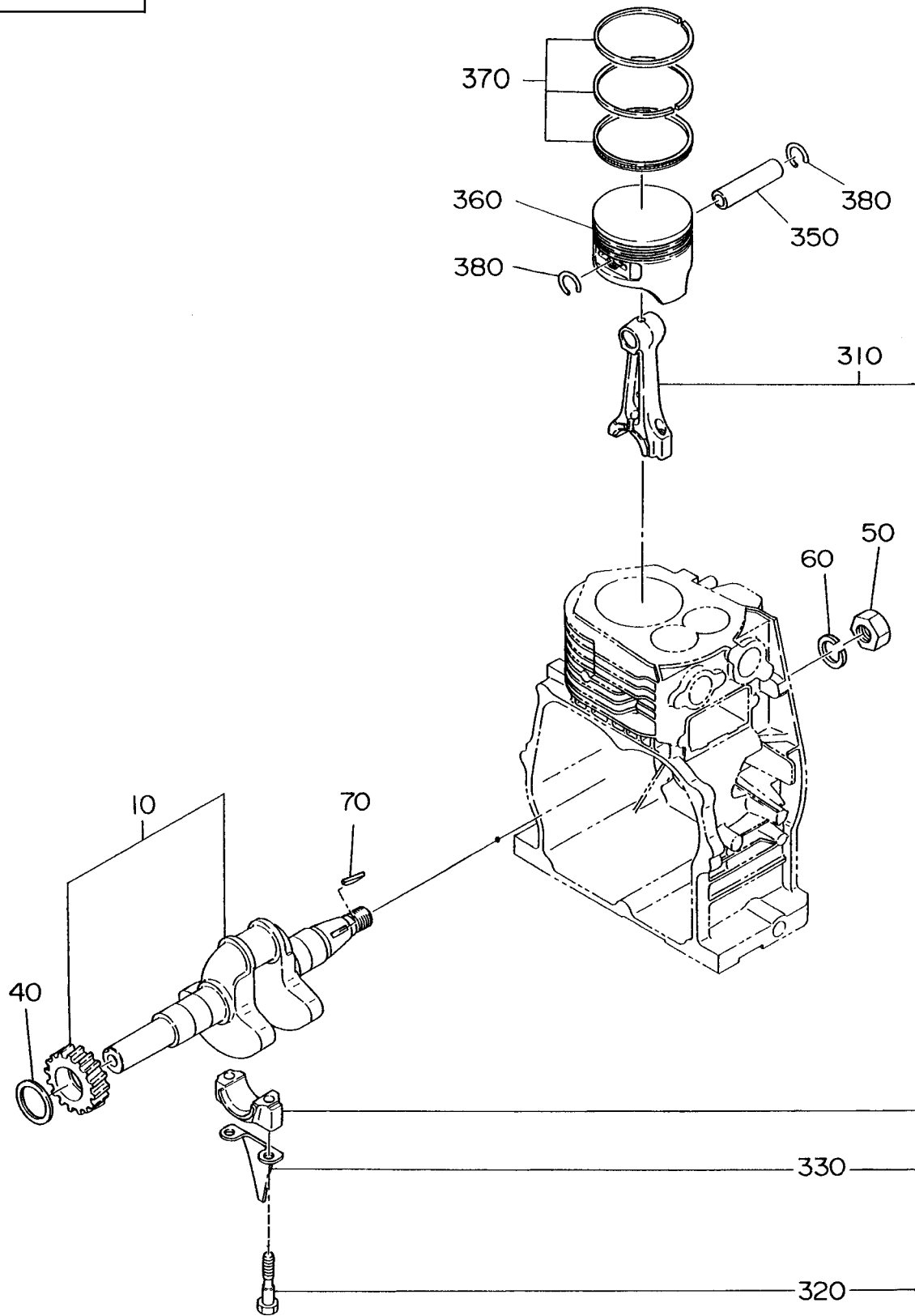
SECTION 1 CRANKCASE GROUP

FIG. 100



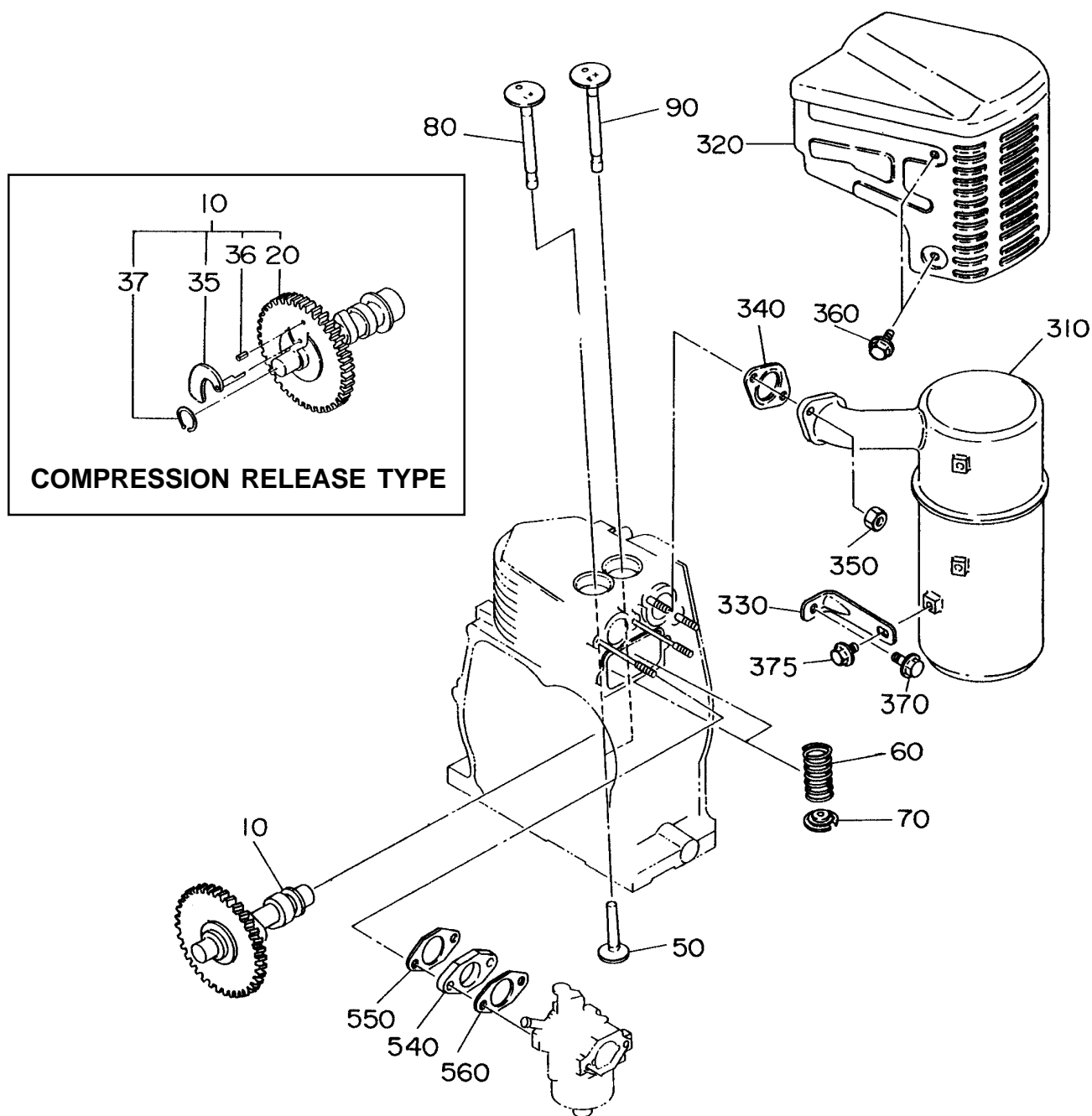
SECTION 2 CRANKSHAFT GROUP

FIG. 200



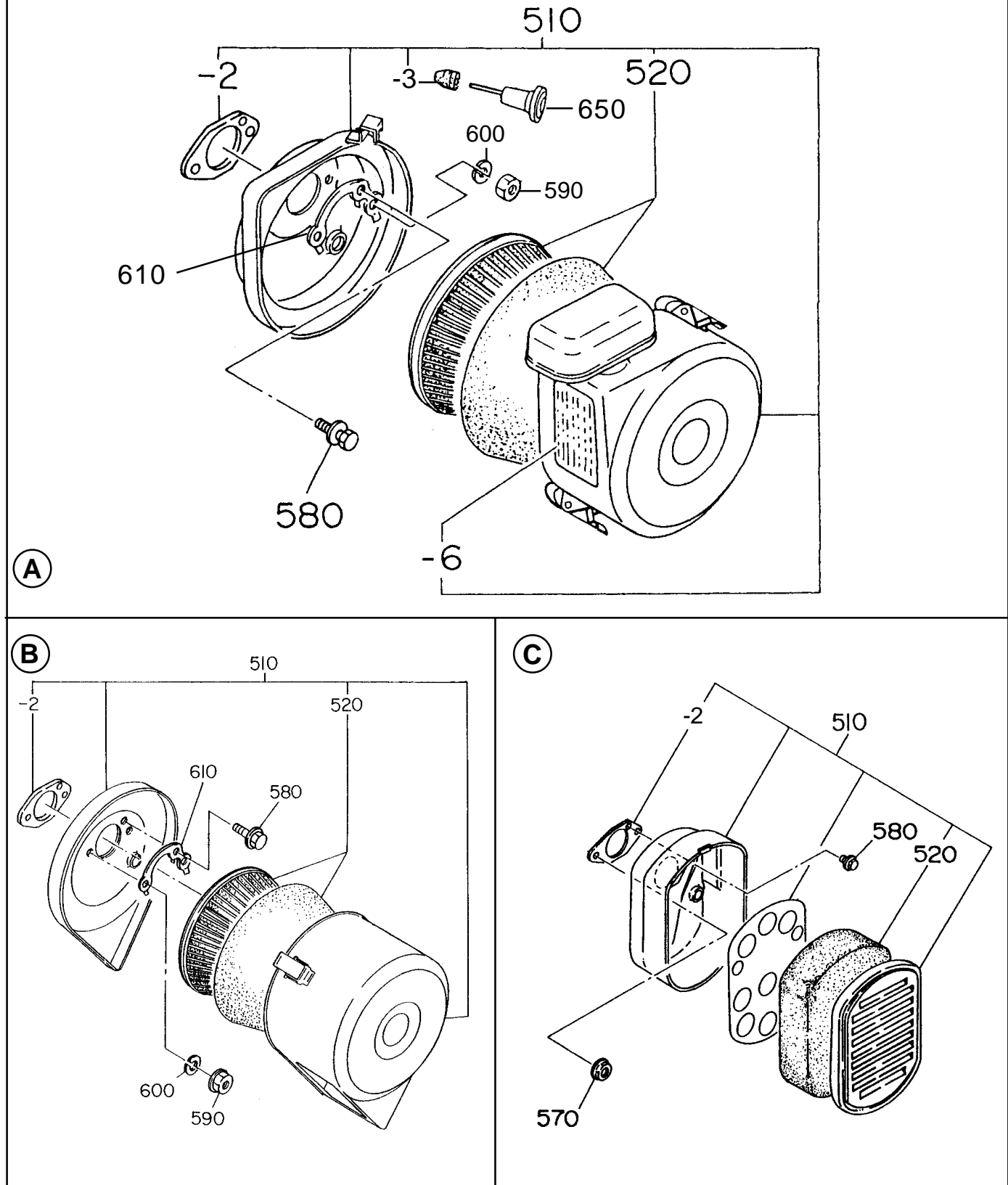
SECTION 3 INTAKE and EXHAUST GROUP

FIG. 300



SECTION 3 INTAKE and EXHAUST GROUP

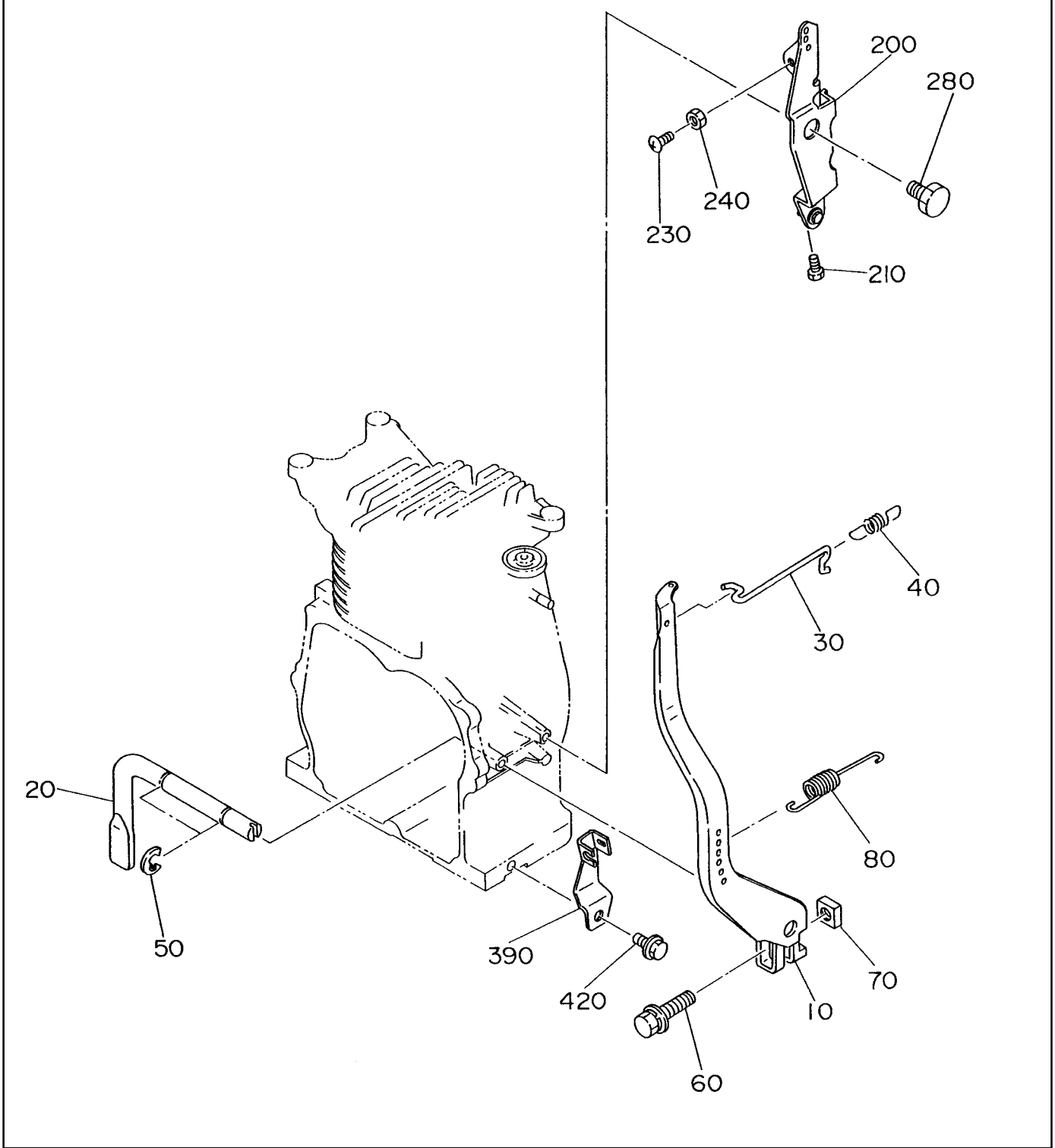
FIG. 310



SECTION 4 GOVERNOR GROUP

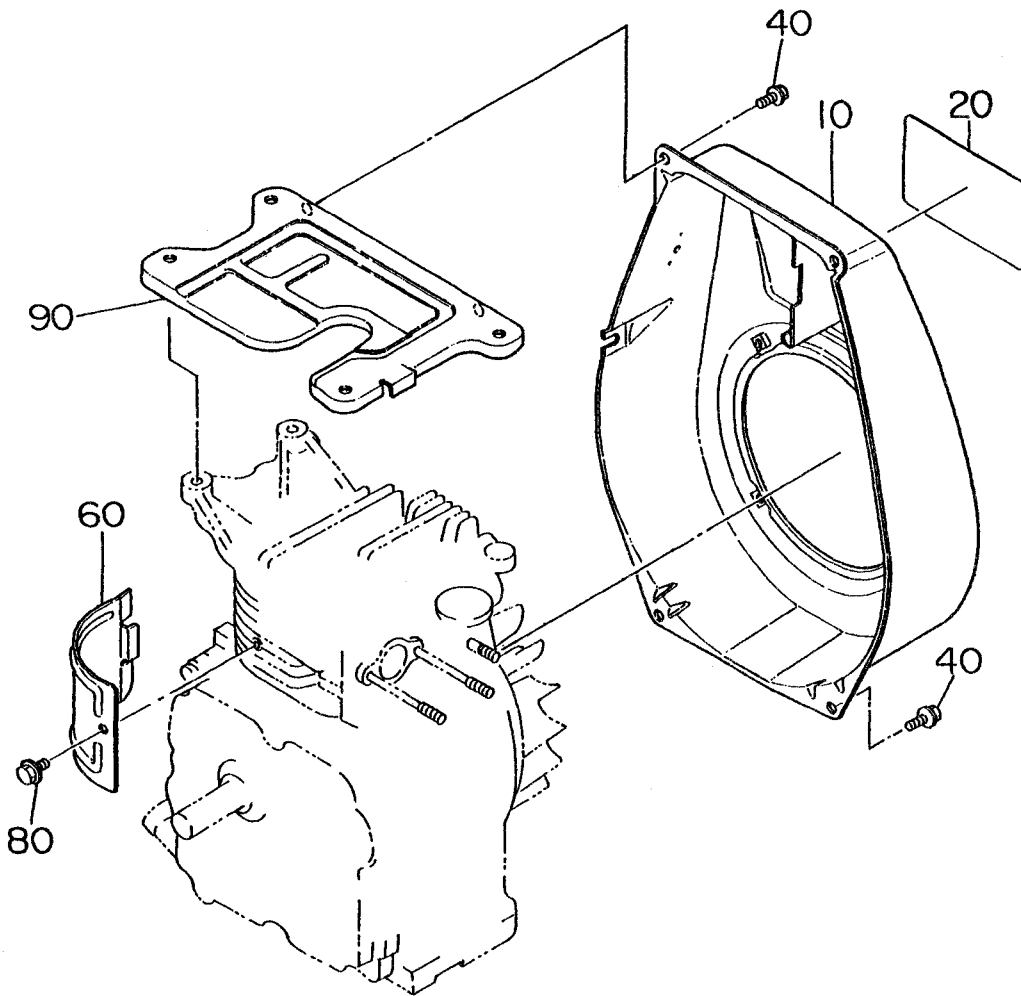
FIG. 410

LOWER REMOTE CABLE CONTROL



SECTION 5 COOLING and STARTING GROUP

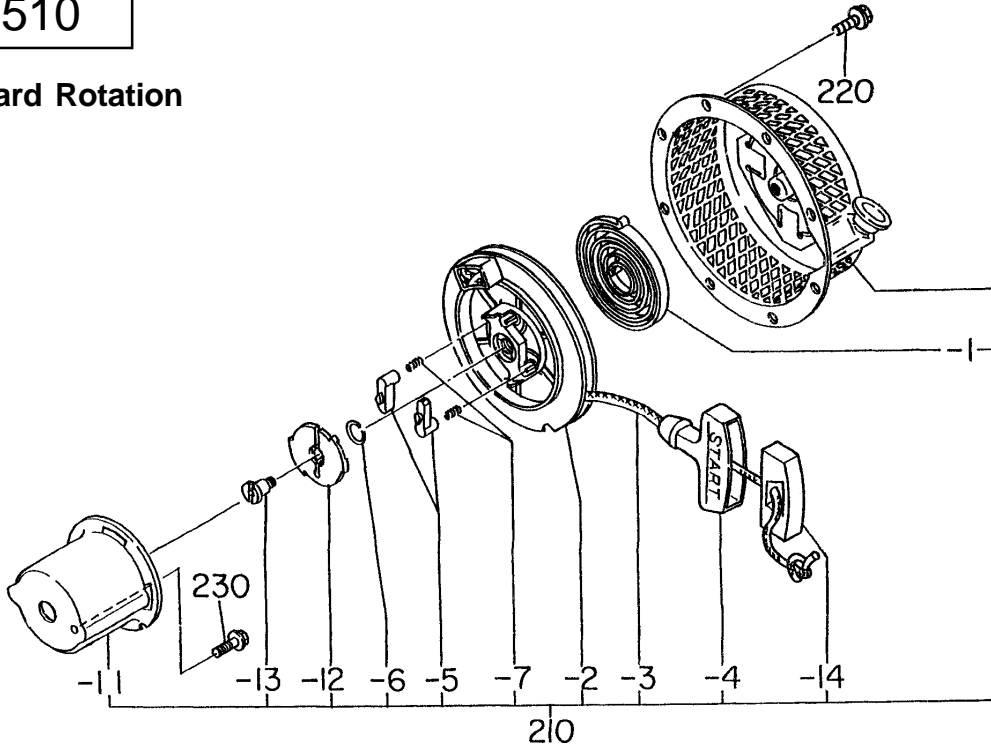
FIG. 500



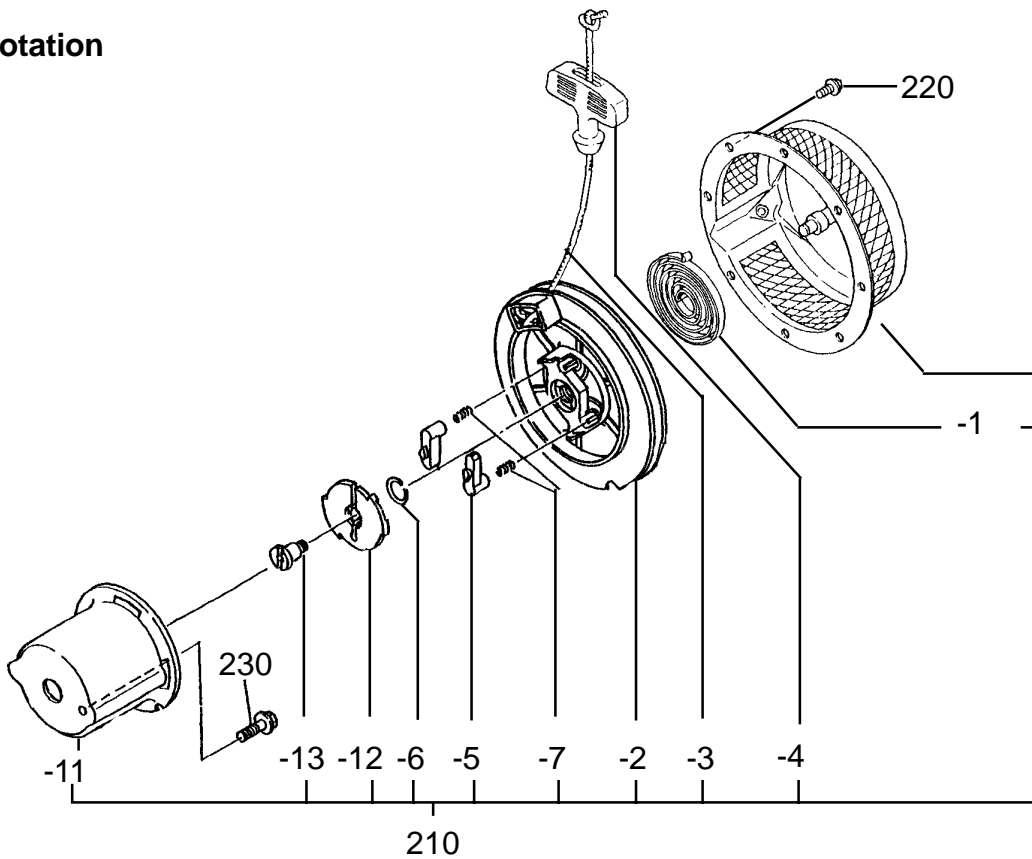
SECTION 5 COOLING and STARTING GROUP - NEW STYLE

FIG. 510

Standard Rotation



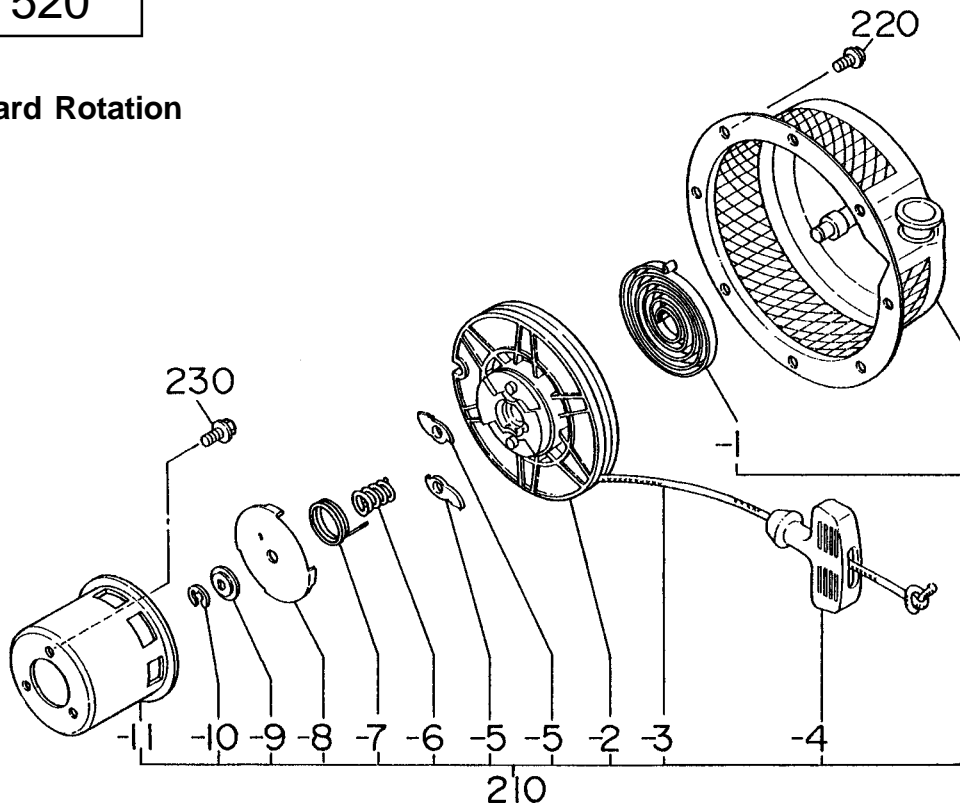
Reverse Rotation



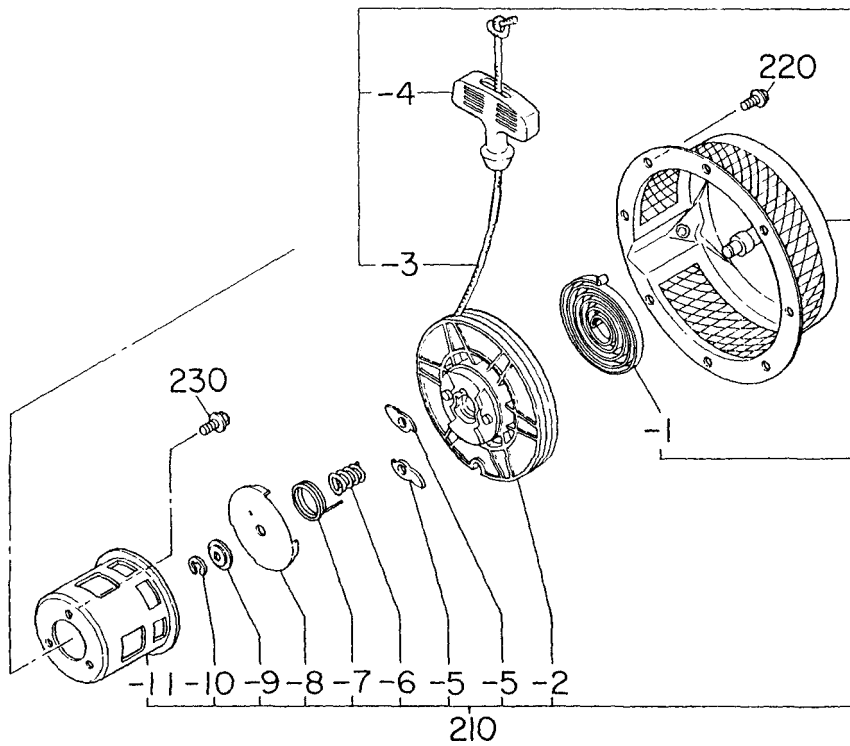
SECTION 5 RECOIL STARTER - OLD STYLE

FIG. 520

Standard Rotation

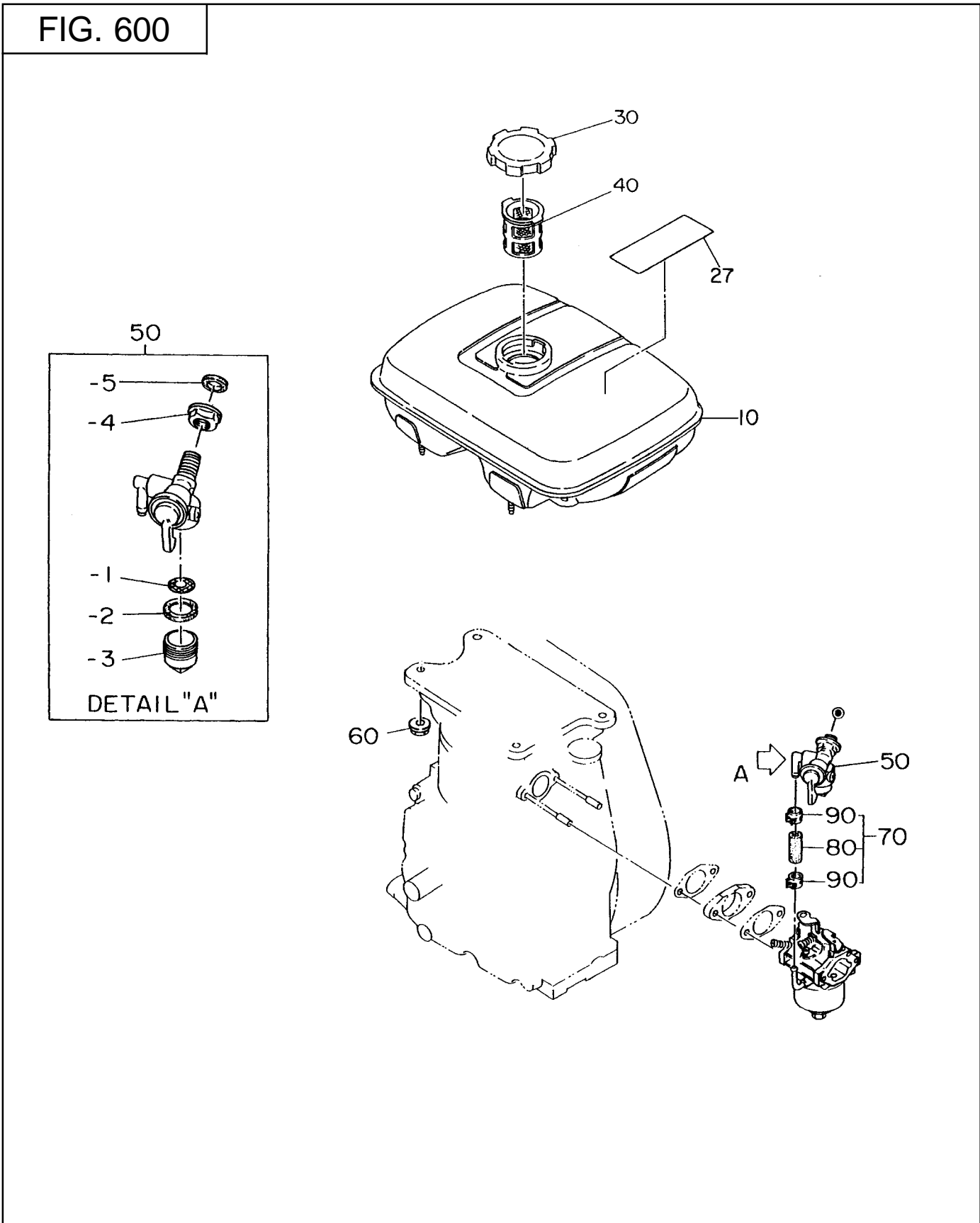


Reverse Rotation



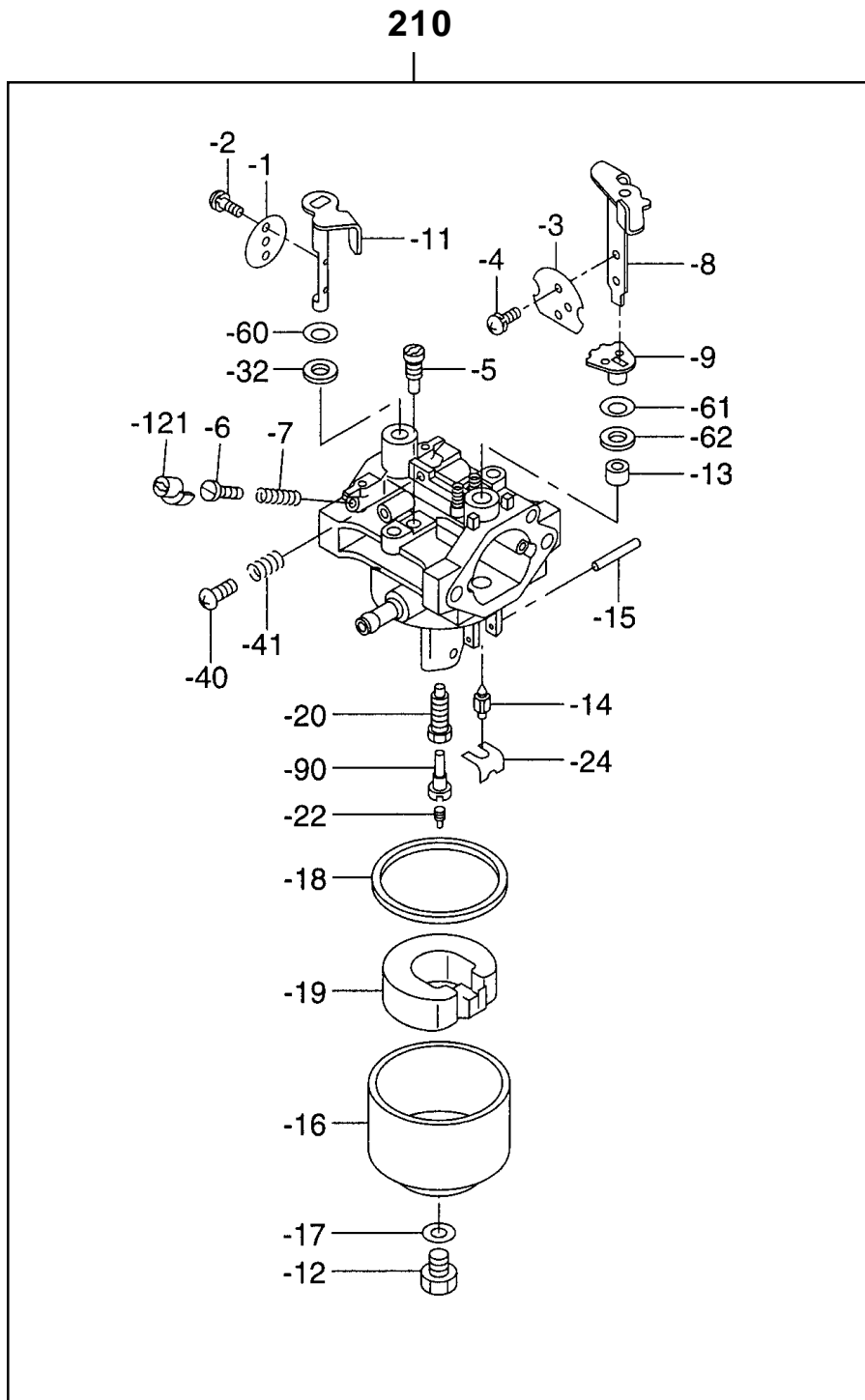
SECTION 6 FUEL GROUP

FIG. 600



SECTION 6 FUEL GROUP - CARBURETOR

FIG. 610

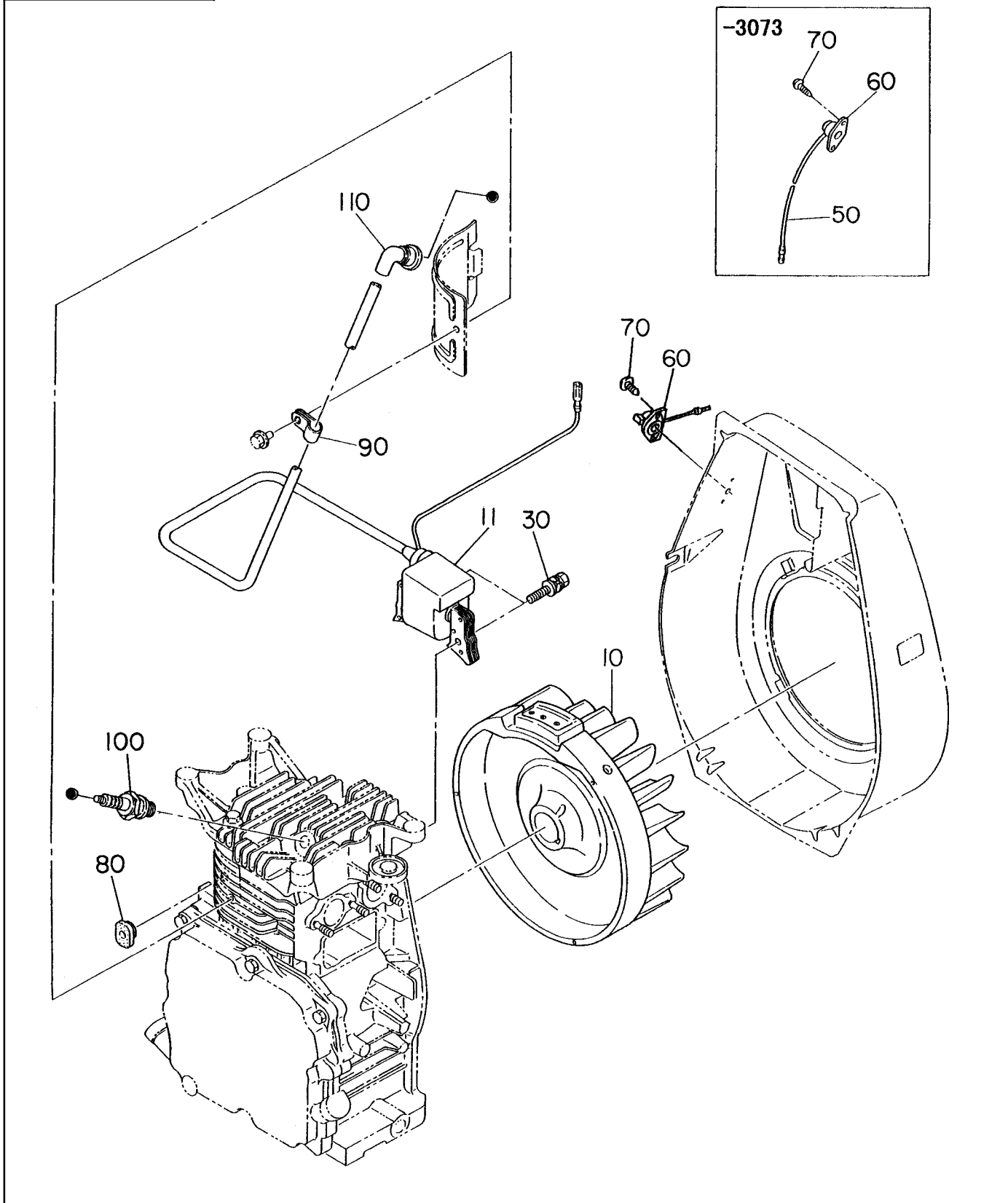


SECTION 6 FUEL GROUP - CARBURETOR

REF.	PART NO.	DESCRIPTION	QTY.	REMARKS	FROM-TO	FIG.
210	234-62551-00	CARBURETOR AY	1	Premium		610
	234-62502-00	CARBURETOR AY	1	Value Line		610
	234-62505-00	CARBURETOR AY	1	Homelite Gen./ EY280YD2510		610
-1	234-62541-08	THROTTLE VALVE	1	Premium		610
	213-62537-08	THROTTLE VALVE	1	Value Line		610
	213-62537-08	THROTTLE VALVE	1	Homelite Gen./ EY280YD2510		610
-2	209-62351-08	SCREW	2			610
-3	234-62527-08	CHOKE VALVE	1	Premium		610
	234-62525-08	CHOKE VALVE	1	Value Line		610
	234-62525-08	CHOKE VALVE	1	Homelite		610
-4	237-62451-08	SCREW	2			610
-5	234-62421-08	PILOT JET	1			610
-6	234-62435-08	ADJUSTER	1			610
-7	206-62446-08	SPRING	1			610
-8	234-62521-08	CHOKE LEVER AY	1	Premium, used w/ remote pull		610
	234-62520-08	CHOKE LEVER AY	1	Value Line		610
	234-62520-08	CHOKE LEVER AY	1	Homelite Gen./ EY280YD2510		610
-9	239-62560-08	RING, choke	1			610
-11	234-62536-08	THROTTLE SHAFT AY	1			610
-12	129-62351-08	BOLT	1			610
-13	226-62550-08	RING	1			610
-14	224-62312-18	NEEDLE VALVE AY	1			610
-15	214-62515-08	PIN	1			610
-16	224-62552-08	FLOAT CHAMBER BODY	1			610
-17	207-62345-08	INSERT WASHER	1			610
-18	206-62540-08	CHAMBER PACKING	1			610
-19	234-62506-08	FLOAT AY	1			610
-20	234-62443-08	NOZZLE	1	Premium		610
	234-62440-08	NOZZLE	1	Value Line		610
	234-62440-08	NOZZLE	1	Homelite Gen./ EY280YD2510		610
-22	234-62404-08	MAIN JET	1			610
-24	224-62569-18	CLIP	1	Premium		610
	224-62569-18	CLIP	1	Value Line		610
	224-62569-18	CLIP	1	Homelite Gen./ EY280YD2510		610
-32	106-62392-08	SEAL	1			610
-40	224-62452-08	SCREW	1			610
-41	230-62446-08	SPRING	1			610
-60	156-62351-08	PACKING	1			610
-61	247-62550-08	CAP, choke	1			610
-62	236-62680-08	SEAL	1			610
-90	234-62425-08	PIPE AY	1			610
-121	246-62551-08	CAP	1			610

SECTION 7A ELECTRIC DEVICE GROUP - RECOIL START

FIG. 700

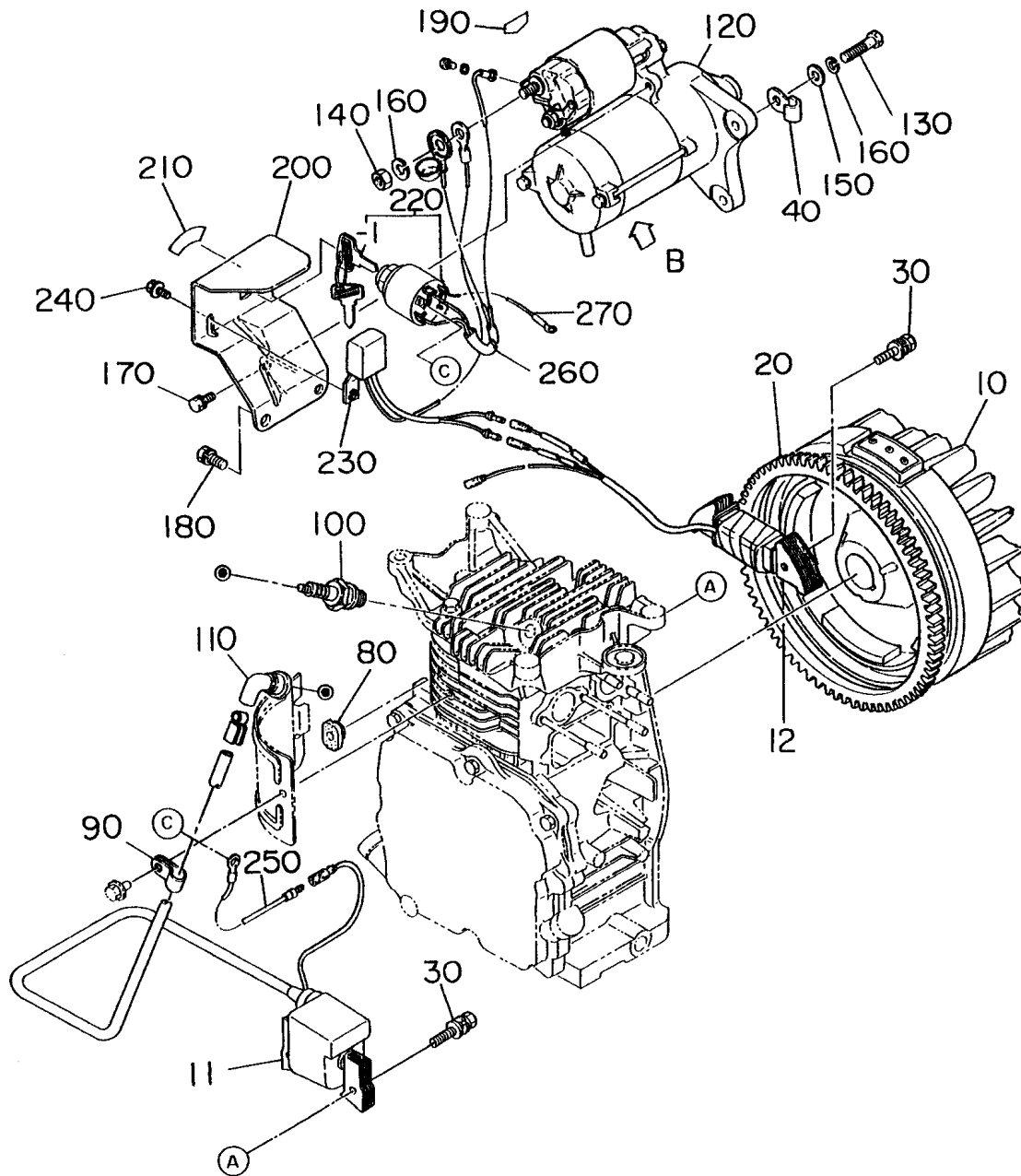


SECTION 7A ELECTRIC DEVICE GROUP - RECOIL START

REF.	PART NO.	DESCRIPTION	QTY.	REMARKS	FROM-TO	FIG.
10	234-70201-11	FLYWHEEL, compl.	1	STD. Rotation		700
	234-70101-11	FLYWHEEL, compl.	1	Reverse Rotation		700
11	234-70124-21	IGNITION COIL, compl.	1			700
30	001-17062-50	BOLT and WASHER AY	2			700
50	214-73201-01	WIRE 1, compl.	1			700
60	066-00003-71	SWITCH AY	1			700
	066-20000-11	STOP BUTTON	1	Obsolete, use 066-00003-71		700
70	015-00400-90	TAPPING SCREW	2			700
80	226-75501-03	GROMMET	1			700
90	206-75501-01	CLAMP	1			700
100	065-01404-20	SPARK PLUG	1	NGK BP6HS		700
110	065-50000-51	SPARK PLUG CAP	1			700

SECTION 7B ELECTRIC DEVICE GROUP - ELECTRIC START

FIG. 710

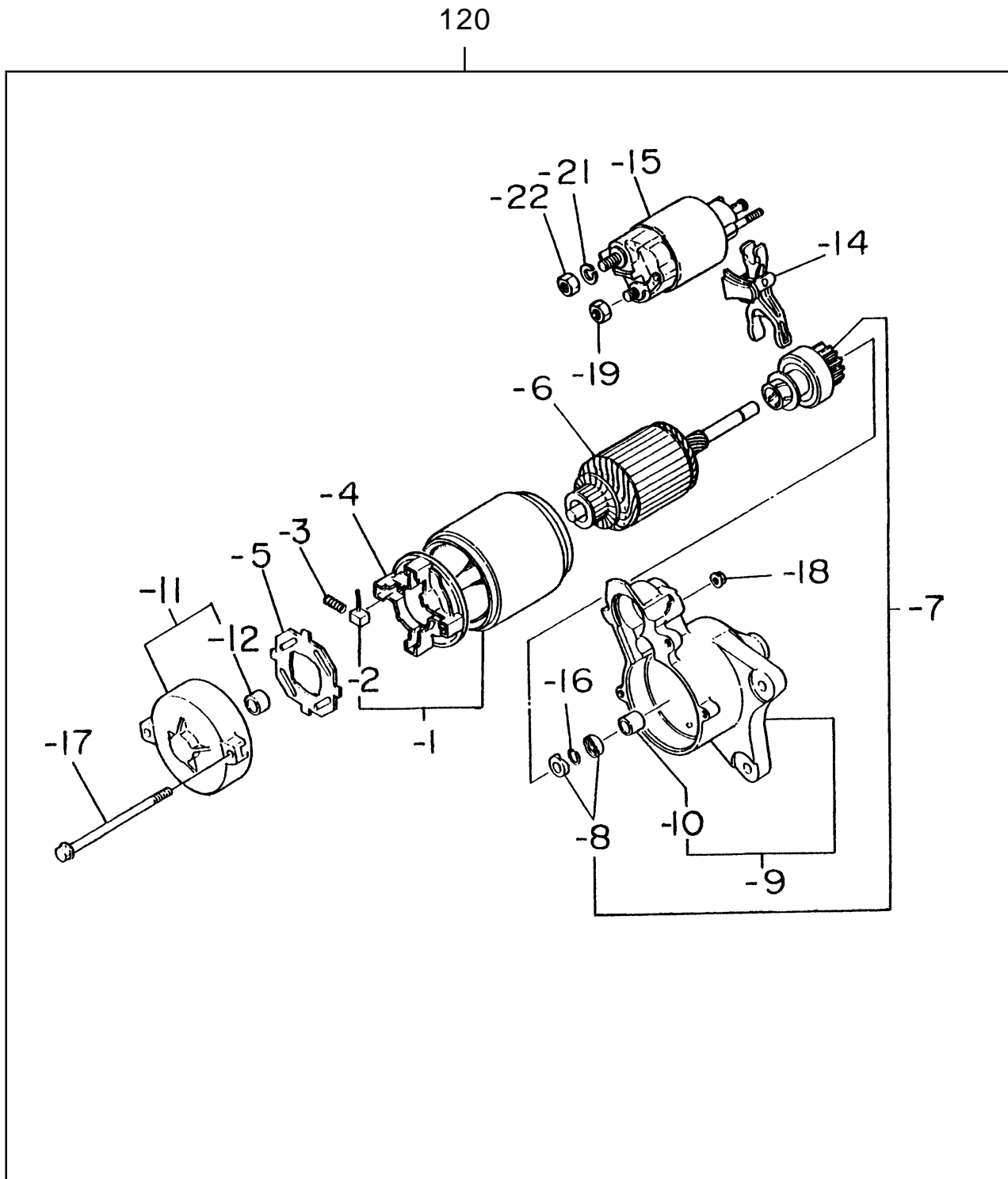


SECTION 7B ELECTRIC DEVICE GROUP - ELECTRIC START

REF.	PART NO.	DESCRIPTION	QTY.	REMARKS	FROM-TO	FIG.
10	234-70203-11	FLYWHEEL, compl.	1	Electric Start		710
11	234-70124-21	IGNITION COIL, compl.	1			710
12	234-70166-01	CHARGE COIL, compl.	1			710
20	263-71002-03	RING GEAR	1			710
30	001-17062-50	BOLT and WASHER AY	4			710
40	207-75001-01	CLAMP, compl.	1			710
80	226-75501-03	GROMMET	1			710
90	206-75501-01	CLAMP	1			710
100	065-01404-20	SPARK PLUG	1	NGK BP6HS		710
110	065-50000-51	SPARK PLUG CAP	1			710
120	234-70502-00	STARTING MOTOR	1			710
130	214-79007-01	BOLT, compl.	2			710
140	002-17080-00	NUT	1			710
150	003-10080-00	WASHER	2			710
160	003-20080-00	SPRING WASHER	3			710
170	001-10061-20	BOLT and WASHER AY	1			710
180	001-10081-60	BOLT and WASHER AY	2			710
190	073-20044-80	LABEL, battery	1			710
200	234-75101-11	CONTROL BOX, compl.	1			710
210	073-20044-60	LABEL, starter switch	1			710
220	066-00003-30	SWITCH	1		From 2405	710
	066-00001-11	SWITCH	1		To 2404	710
-1	066-00099-80	KEY, switch	1		From 2405	710
	066-00099-90	KEY	1		To 2404	710
230	209-71401-01	DIODE RECTIFIER, compl.	1			710
240	011-00600-10	FLANGE BOLT	1			710
250	224-73102-01	WIRE 3, compl.	1			710
260	234-73122-01	WIRE 22, compl.	1			710
270	234-73123-01	WIRE 23, compl.	1			710

SECTION 7C ELECTRIC DEVICE GROUP - STARTING MOTOR

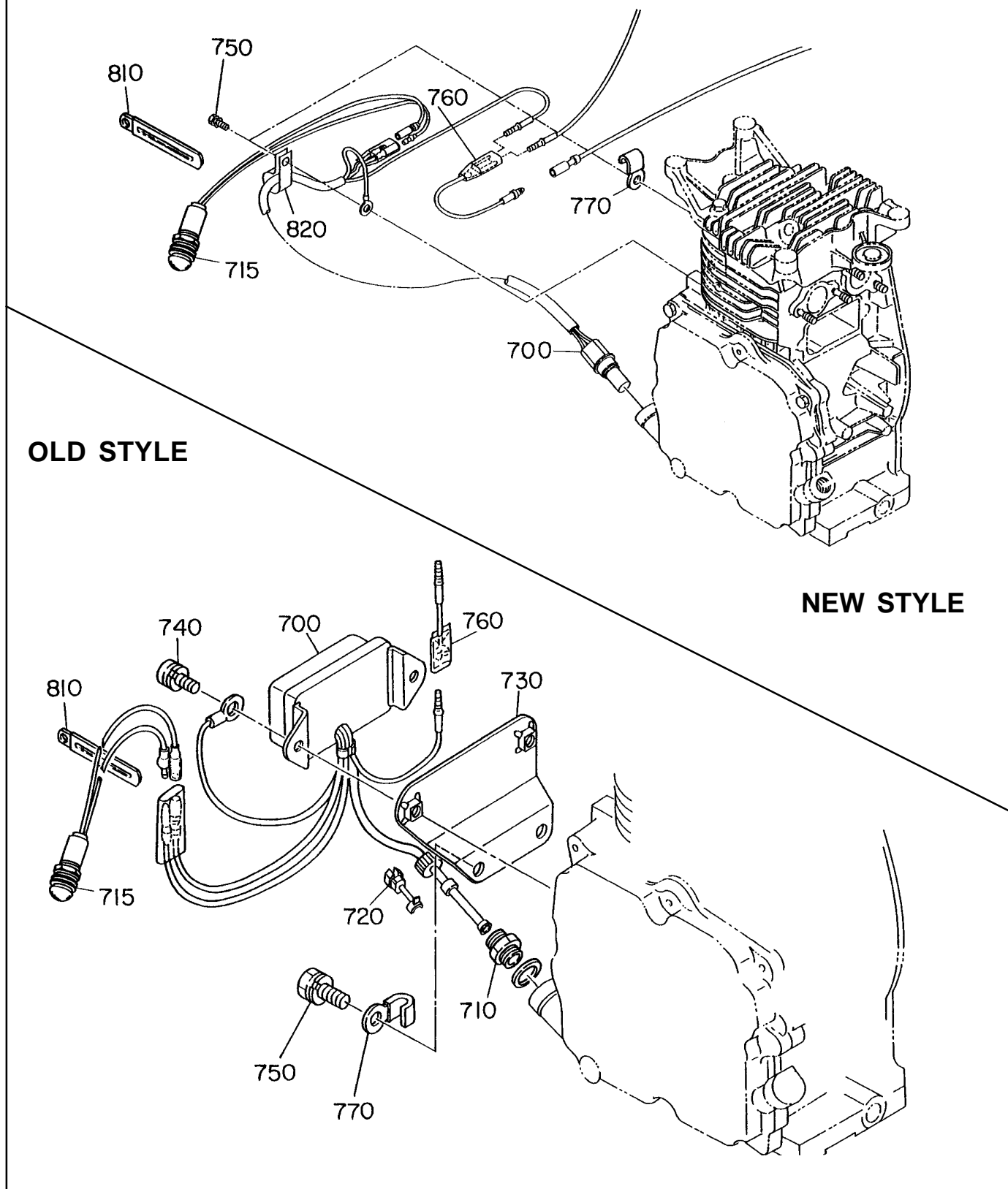
FIG. 720



SECTION 7D ELECTRIC DEVICE GROUP - OIL SENSOR

FIG. 730

OPPOSITE CARBURETOR SIDE

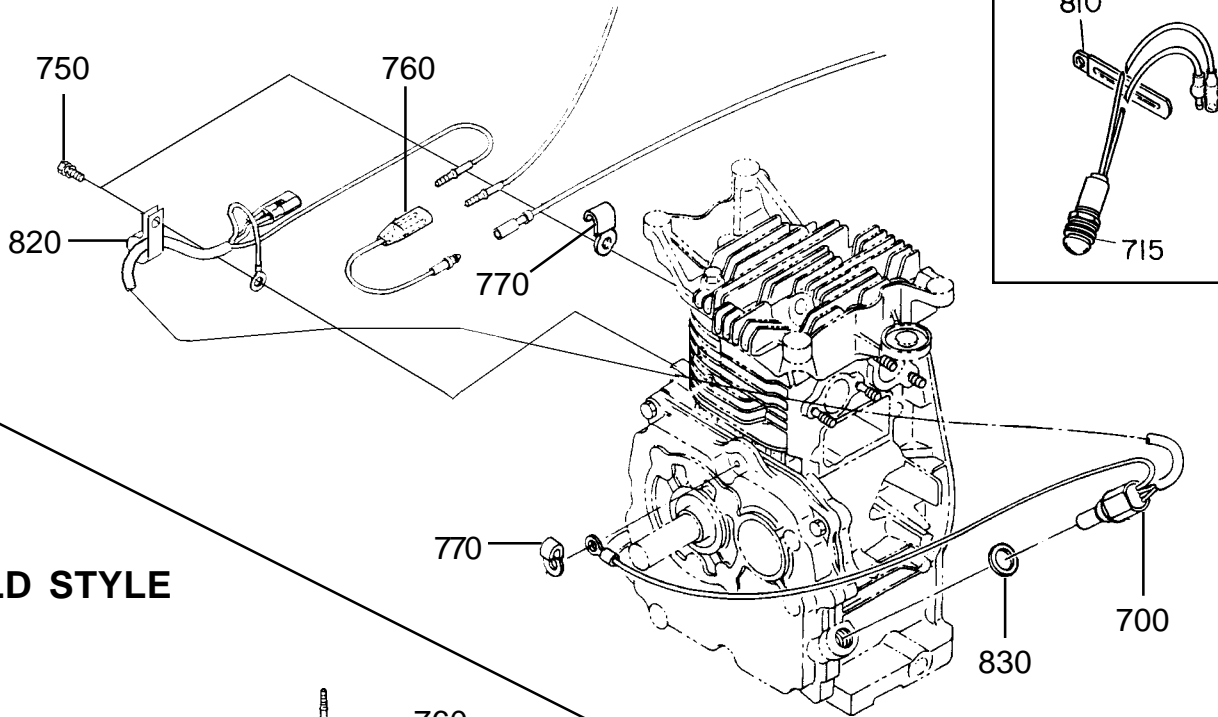


SECTION 7E ELECTRIC DEVICE GROUP - OIL SENSOR

FIG. 740

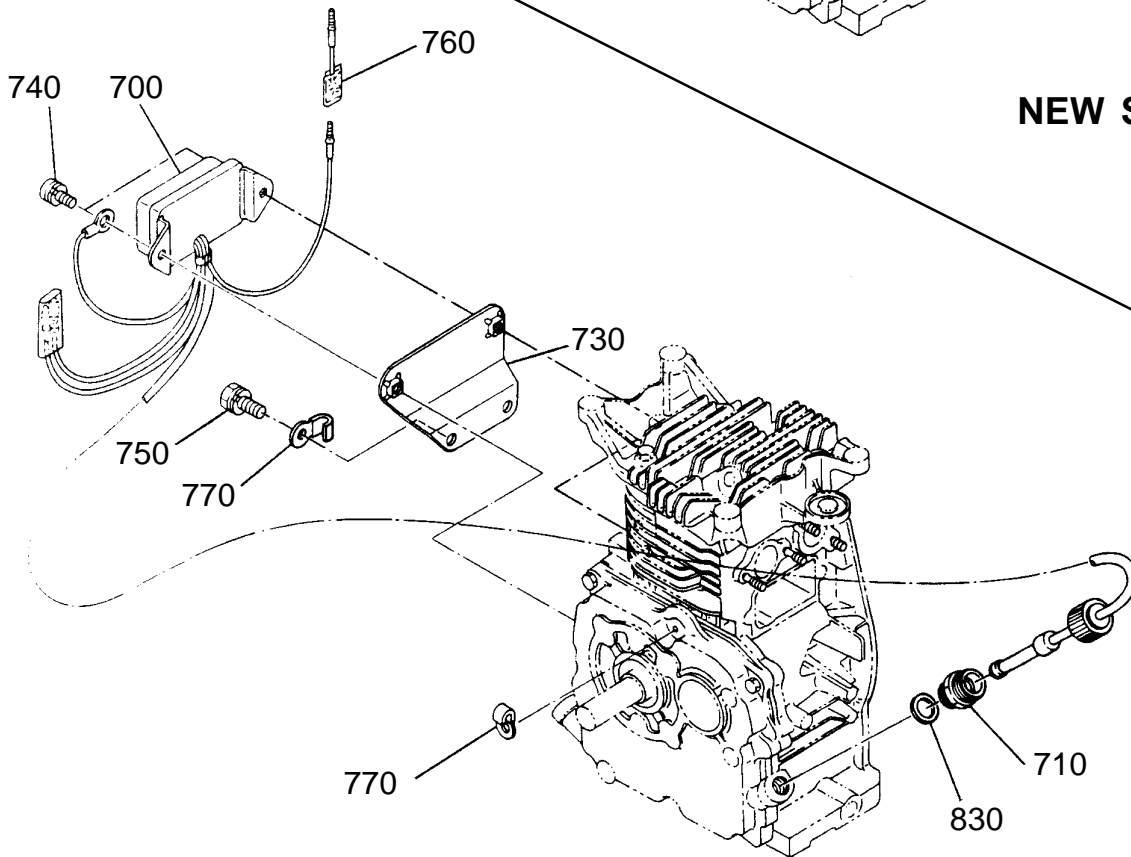
CARBURETOR SIDE

OPTIONAL LED LAMP



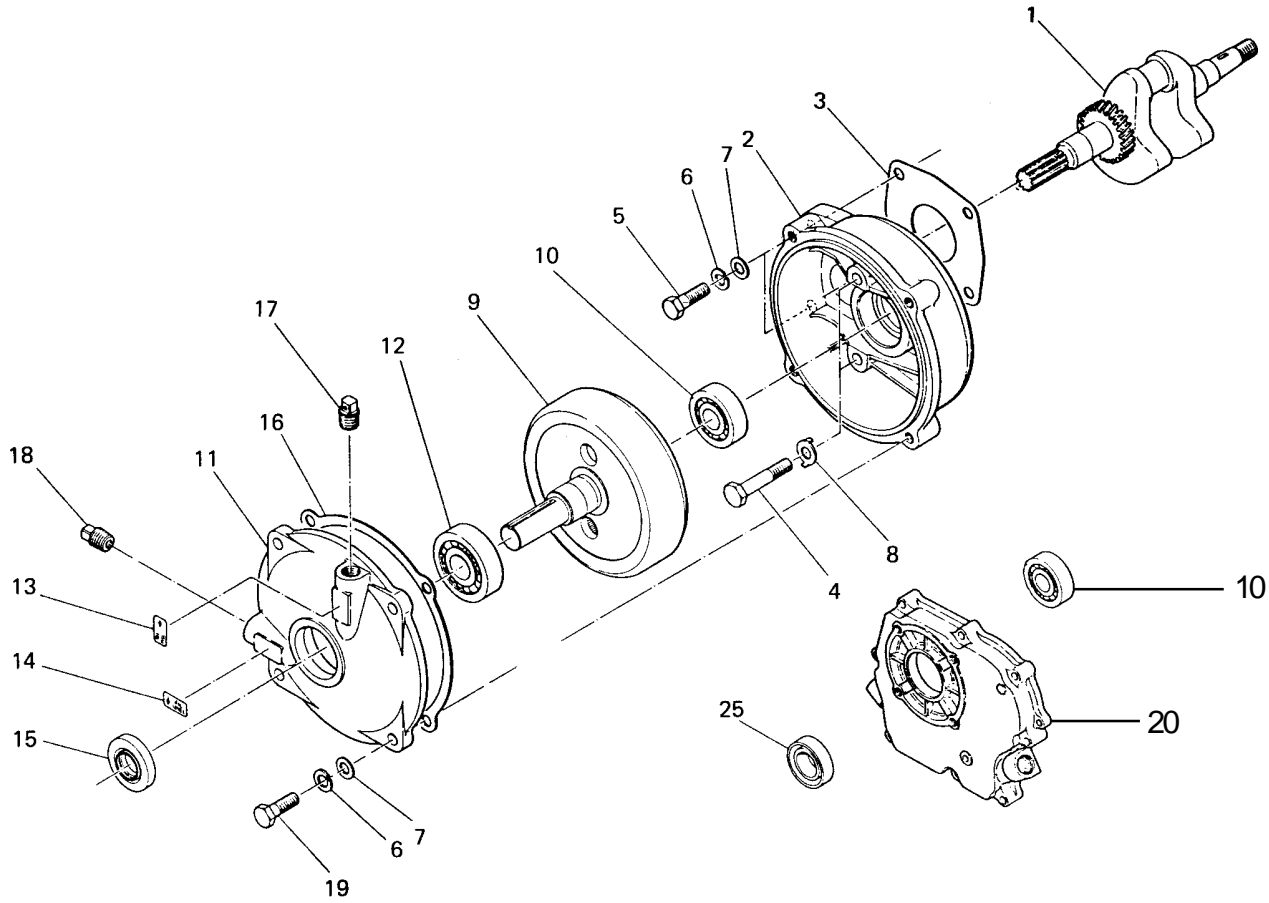
OLD STYLE

NEW STYLE



SECTION 8 6:1 GEAR REDUCTION

FIG. 800



PRINTED IN THE USA